

# VENUS SERIES

---

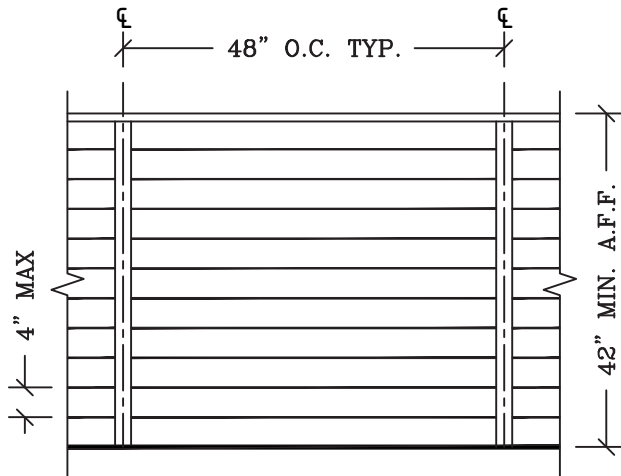
BY  
SUN ARCHITECTURAL PRODUCTS



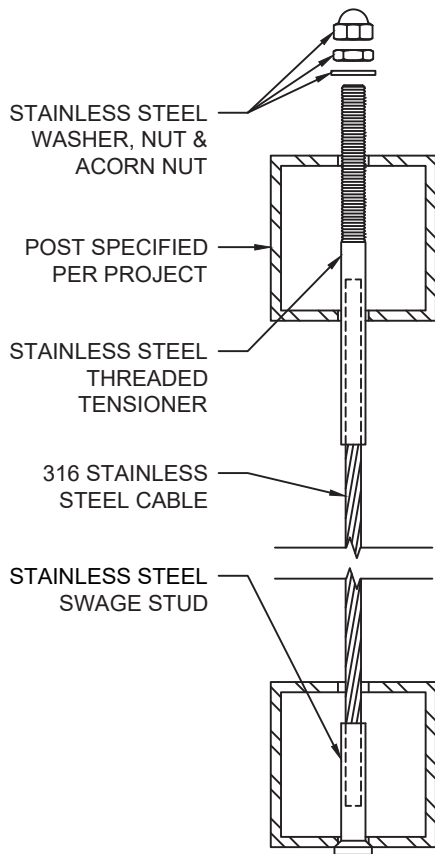
STAINLESS STEEL CABLE  
RAILING SYSTEM

# VENUS SERIES SPECIFICATIONS

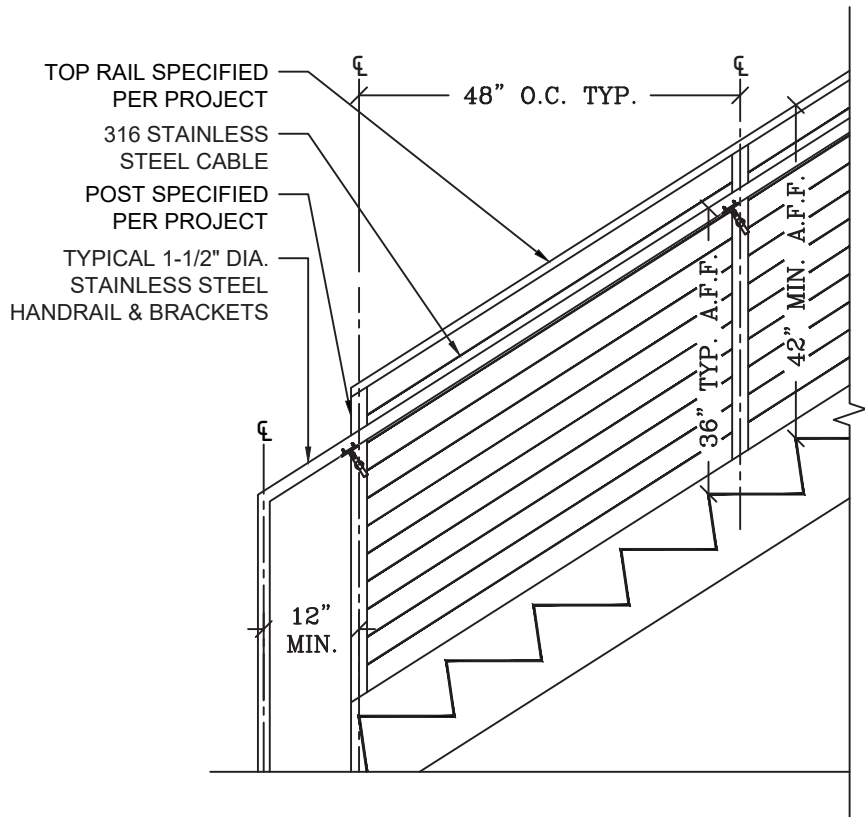
Our Venus Series railing provides sleek modern industrial aesthetics that will compliment any project with it's 316 grade stainless steel cables. The Venus Series railing can be installed by means of flange mounting, side mounting, cored into a floor structure or welded to tube steel. Common posts used are either 1-1/2" square or a 2" square with a corresponding top rail. Other types of materials and sizes are available to accomodate your project's desired aesthetics.



**ELEVATION VIEW @  
BALCONY APPLICATION**



**SECTION DETAIL**



**ELEVATION VIEW @  
STAIR APPLICATION**



**SUN ARCHITECTURAL PRODUCTS**  
Custom Glass & Metal Fabrication Since 1988

1450 McDonald Road | Dahlonega, GA 30533  
Office (678) 947-0337 | Fax (678) 947-9952